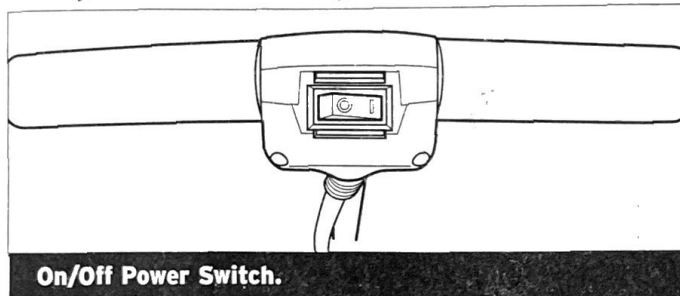


# Quick Start

# ORECK® XL

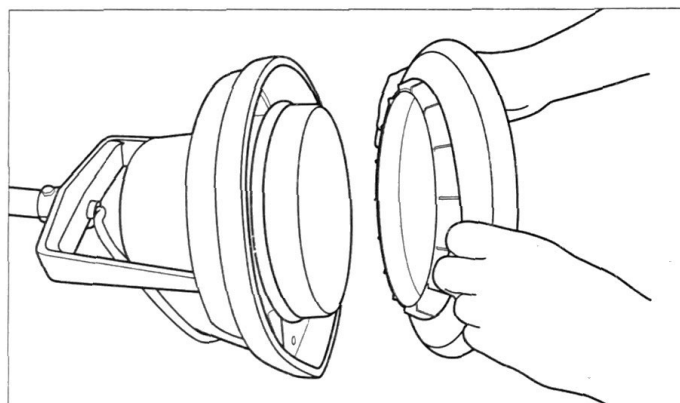
## ORBITER® MULTI-PURPOSE FLOOR MACHINE

### STEP 1 Prep for Cleaning



**On/Off Power Switch.**

- The on/off switch is located on the handle.



**Install Drive Pad Holder if using a pad. Not needed for brush.**

- On the bottom of the Orbiter, place the black drive pad holder on the beige holder pan.
- Match the flooring type to the appropriate pad or bonnet and cleaning product.

Flooring Type	Pad, Bonnet or Sand Screen	Cleaning Product
<b>CARPET &amp; RUGS</b>		
– Low-Pile or Berber	White Terry-Cloth Bonnet	Premist® Soil Release Pre-Spray Dry Carpet Cleaner
– Medium or High-Pile	Black Carpet Brush	Premist® Soil Release Pre-Spray Dry Carpet Cleaner
<b>TILE FLOORS</b>		
– Ceramic Tile	Orange Scrub Brush	Diluted Grunge Attack®
– Glazed Ceramic	Black Carpet Brush	Diluted Grunge Attack®
– Porcelain Tile	Black Carpet Brush	Diluted Grunge Attack®
<b>LAMINATE, VINYL or LINOLEUM FLOORS</b>	White Terry-Cloth Bonnet	Timberworks® Floor Cleaner
<b>HARD WOOD FLOORS</b>		
– Sealed Hard Wood	White Terry-Cloth Bonnet	Timberworks® Floor Cleaner
– Waxed Hard Wood	Lamb's Wool Bonnet	Indian Sand Paste Wax
<b>STONE FLOORS</b>	Tan Polish Brush	Stone Clear Bottom® Cleaner
<b>MARBLE FLOORS</b>	Beige Marble Pad White Polish Pad	Stone Clear Bottom® Cleaner Michaelangelo's Marble Restorer® Polishing Cream
<b>CONCRETE FLOORS</b>	Orange Scrub Brush	Diluted Grunge Attack®
<b>ASPHALT</b>	Brown Strip Pad	Greaselock® Absorbent Powder

- Always have a pad or bonnet in place when turning on the machine.
- Always test a small hidden area to ensure color-fastness and that the pad or bonnet you are using is right for the surface you are cleaning.

### STEP 2a Deep Cleaning Carpets & Rugs

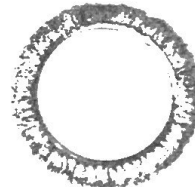
- Attach the white terry-cloth bonnet for berber and/or low-pile carpets or the black carpet brush for medium- and/or high-pile carpet.
- Spray Premist® Soil Release Pre-Spray on carpet in a 6 feet by 6 feet area.
- Sprinkle the Dry Carpet Cleaner over the same area.
- Work in the powder by using a side-to-side motion.
- Repeat until the whole carpet has been treated.
- If bonnet becomes soiled, turn it over.
- Wait 30 minutes and then vacuum.



White  
Terry Cloth Bonnet



Black  
Carpet Brush



Orange  
Scrub Brush

### STEP 2b Deep Cleaning Tile Floors

- Attach the orange scrub brush for ceramic tile or the black carpet brush for glazed ceramic and/or porcelain tile floors.
- Dilute Grunge Attack® per the instructions on the bottle.
- Lightly spray the diluted Grunge Attack on tile in a 6 feet by 6 feet area.
- Work in the spray by using a side-to-side motion.
- Repeat until the whole floor has been treated.
- Attach the white terry-cloth bonnet and go back over the cleaned area to remove all dirt.

**For all other flooring types, see the Orbiter User's Guide.**

©2008 ORECK HOLDINGS, LLC. All Rights Reserved. All word marks, logos, product configurations and registered trademarks are owned and used under the authority of Oreck Holdings, LLC.

53418-01 REV B  
01/08 ECN# R-8949